

Tops for road gullies

Tops for road gullies are used to drain off trafficked surfaces and are subject to the same vehicle loadings as the trafficked surfaces themselves.

Our range includes tops in classes B 125 – F 900.



On the following pages we will show you examples from the following product families:

MEIECO®

- in acc. w. EN124 + DIN 1229
- deep-grip three-point support
- displacement securing devices
- liftable

MEITOP®

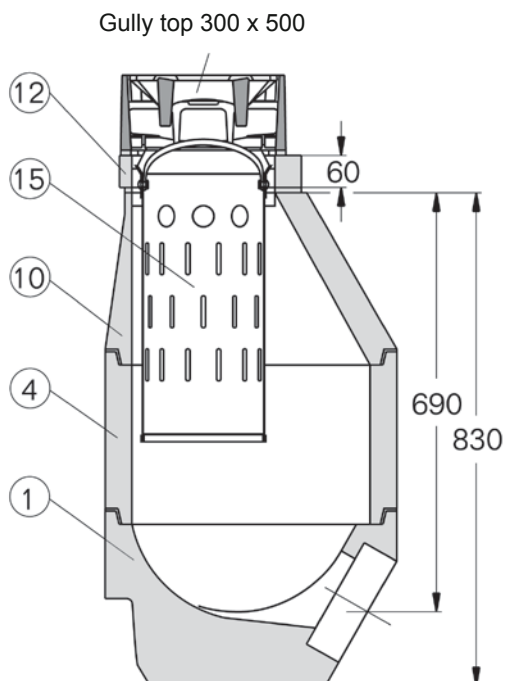
- in acc. w. EN124
- deep-grip three-point support
- light top
- maintenance-friendly
- double-sided opening device
- spring locking mechanism
- liftable

M-AVUS

- in acc. w. EN124 + DIN 1229
- innovative bolted hinge
- high anti-theft security
- specially for motorways and roads with heavy traffic

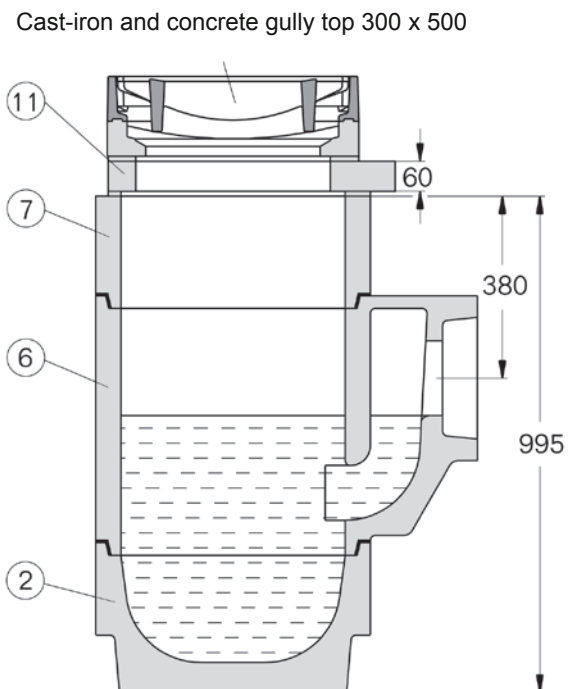


Mounting examples



Example: Street drain pipe DIN 4052:
1a - 6b - 11 - 10b - C3

- ① Ground DIN 4052 – 1a made of concrete, DN 150
- ④ Middle part DIN 4052 – 6b made of concrete
- ⑩ Shaft DIN 4052 – part 11
- ⑫ Bearing ring DIN 4052 – part 10b
- ⑮ Bucket DIN 4052 – part C3



Example: Street drain pipe DIN 4052:
2a - 3/G - 5c - 10a

- ② Ground DIN 4052 – 2a made of concrete, DN150
- ⑥ Sleeve part 3/G made of concrete – DN150
- ⑦ Shaft DIN 4052 – part 5c
- ⑪ Bearing ring DIN 4052 – part 10a



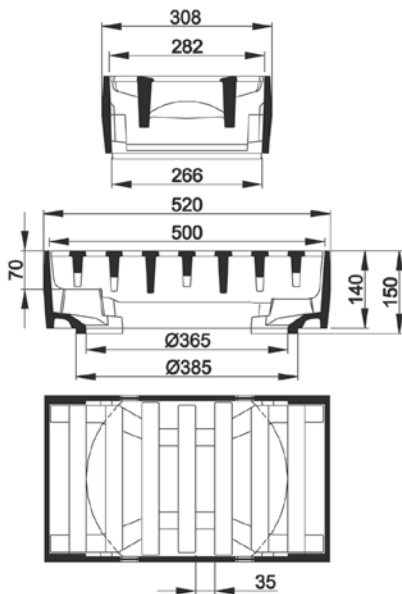
MEIECO®: place it – job done!

MEIECO® tops – designed to DIN EN 124 and DIN 1229

Consistent further development of the established longitudinal and square tops in the complete cast-iron version. Due to their self weight, these tops do not require any locking devices in accordance with DIN 1229. They are an extremely solid alternative to standardised tops.

- improved, deep-grip three-point support of grating in frame
- high safety levels, even in critical application areas
- The tops conform to DIN in the most important structural dimensions such as length, width and also installation height.
- All tops can be lifted up, and are provided with construction drainage which becomes operative if required by tapping the predetermined fracture points.

Gully tops MEIECO® | Class C 250

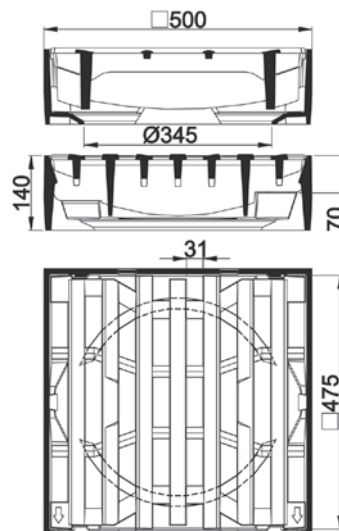


Gully top 300 x 500 class C 250
System MEIECO®
 Straight form, conform with EN 124 /
 DIN 1229
 Width of slots 35 mm

Frame: Cast-iron
 Grating: Cast-iron

Art.: 203550

24 pcs/pallet | Weight per piece: 48 kg



Gully top 500 x 500 class C 250
System MEIECO®
 Straight form, conform with EN 124 /
 DIN 1229
 Width of slots 31 mm

Frame: Cast-iron
 Grating: Cast-iron

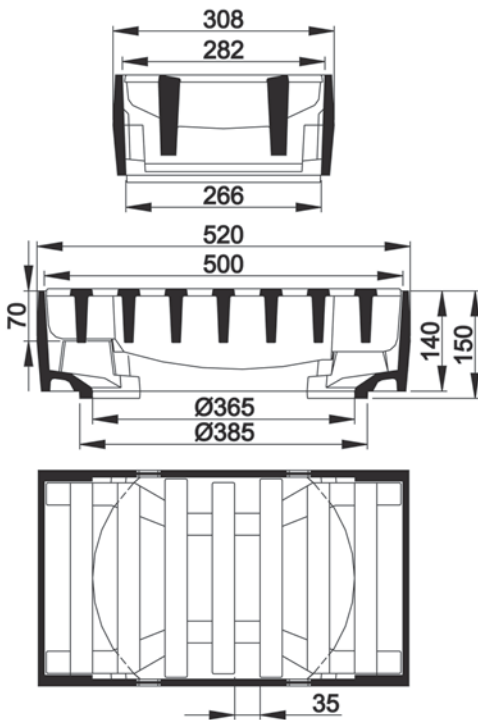
Art.: 203340

16 pcs/pallet | Weight per piece: 65 kg

Here you can see only a brief extract from our manufacturing range. Please contact us if you cannot find the required product.



Gully tops MEIECO® | Class D 400

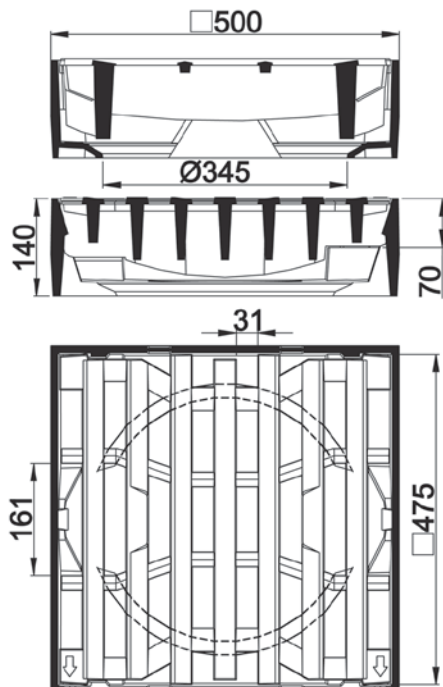


Gully top 300 x 500 class D 400
System MEIECO®
Straight form, conform with
EN 124 / DIN 1229
Width of slots 35 mm

Frame: Cast-iron
Grating: Cast-iron

Art.: 204550

24 pcs/pallet | Weight per piece: 52 kg



Gully top 500 x 500 class D 400
System MEIECO®
Straight form, conform with
EN 124 / DIN 1229
Width of slots 31 mm

Frame: Cast-iron
Grating: Cast-iron

Art.: 204340

16 pcs/pallet | Weight per piece: 65 kg

Here you can see only a brief extract from our manufacturing range. Please contact us if you cannot find the required product.

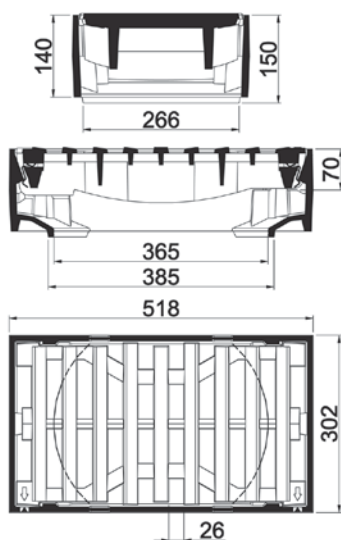


MEITOP® – close the grating and that's it!

MEITOP® – the light top in Class D 400 from the MEITOP® family with maintenance-friendly dual-sided opening device and spring locking mechanism. A grating of the latest generation with many improved details and well-conceived technology. It is universally usable and conforms to standard dimensions.

- The grating rests fully on the frame (no rattling) using safe, deep-grip three-point supporting of the grating in the frames on inclined supports.
- Security against unauthorised opening using additional spring locking mechanism of grating in frame.
- Insensitive to soiling and therefore maintenance-friendly.
- Good bonding of top to road surfacing through sufficient installation height (140 mm).
- All tops can be lifted up, and are provided with construction drainage which becomes operative if required by tapping the predetermined fracture points.
- A changed, closer slot pattern improves safety.

Gully tops MEITOP® | Class D 400

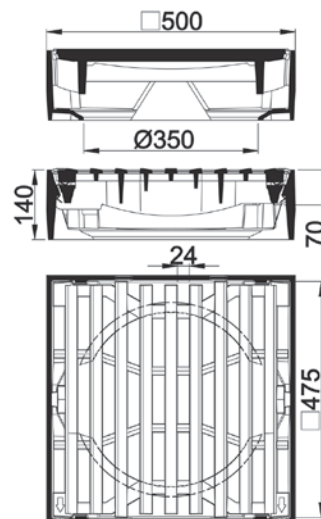


**Gully top 300 x 500 class D 400
System MEITOP®
Straight form, with double-sided
opening device and spring lock
Width of slots 26 mm**

Frame: Cast-iron
Grating: Cast-iron

Art.: 204590

24 pcs/pallet | Weight per piece: 43 kg



**Gully top 500 x 500 class D 400
System MEITOP®
Straight form, with double-sided
opening device and spring lock
Width of slots 24 mm**

Frame: Cast-iron
Grating: Cast-iron

Art.: 204390

16 pcs/pallet | Weight per piece: 55 kg

Here you can see only a brief extract from our manufacturing range. Please contact us if you cannot find the required product.



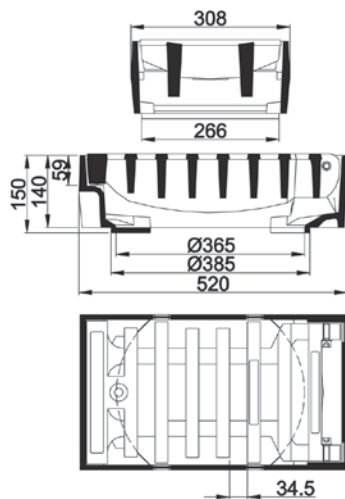


M-AVUS – the best in its class!

M-AVUS – unique thanks to its innovative bolted hinge – the top model in the hinged top sector. The angular all-rounder, which fulfils the absolute highest safety standards both on motorways and roads with heavy goods traffic, has proved itself over many years – and this includes the highest level of theft prevention.

- M-AVUS can be supplied in dimensions 300 x 500 and 500 x 500.
- The grating, which opens against the traffic flow, has an inclination of 110° and therefore is always extremely noticeable which guarantees closing in good time.
- The dirt simply slides off the inclined contact surfaces in the hinge area. There is therefore no hindrance during closing. Hinge breakages caused by jammed stones are a thing of the past.
- The fitting dimensions of 300 x 500 are the same as the dimensions for non-hinged longitudinal tops.
- The stud bolts can also be loosened after the top has been fitted, which means that the grating can be replaced.
- If required, both tops can be supplied with a rotary fastener which protects against unauthorised opening.

Gully tops M-AVUS-3 + M-AVUS-5 | Class D 400

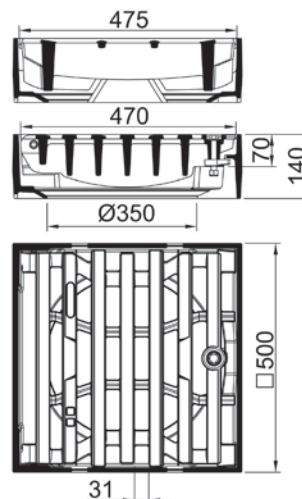


Gully top 300 x 500 class D 400
System M-AVUS-3
 Straight form, with hinge,
 locking mechanism and
 damping insert MEIPREN®
 Width of slots 34.5 mm

Frame: Cast-iron
 Grating: Cast-iron

Art.: 204549

24 pcs/pallet | Weight per piece: 56 kg



Gully top 500 x 500 class D 400
System M-AVUS-5
 Straight form, with hinge,
 locking mechanism and
 damping insert MEIPREN®
 Width of slots 31 mm

Frame: Cast-iron
 Grating: Cast-iron

Art.: 204436

10 pcs/pallet | Weight per piece: 70 kg

Here you can see only a brief extract from our manufacturing range. Please contact us if you cannot find the required product.